



MD Starter+ DOL



MD Starter+ FASD

STARTER+ AUTOMATIC OPERATION WITH EXTRA PROTECTIONS

Electrical Standard Products
Lauritz Knudsen Electrical & Automation
A/600, Shil-Mahape Road, TTC Industrial Area, MIDC Thane,
Mumbai, 400 710, Maharashtra

Customer Interaction Center (CIC)
Phone no: 022 6932 7800, E-mail: CIC@LK-EA.com
Website: smartshop.lk-ea.com



AGRI CUSTOMER CARE
Scan the QR code for any service, complaint,
installation, or other support



SMARTSHOP
We are online!
Scan the QR code to buy

Features

- › Digital metering in select variants
- › Built-in *i*-PROTECTOR which gives protections from following faults:
 - › Voltage & Current Single Phasing
 - › Under & Over Voltage
 - › Voltage & Current unbalance fault from supply side
 - › Phase Reversal
 - › Dry run Fault Protection (With adjustable current setting and adjustable reset time)
- › Wide band coil: 180V to 415V
- › Suitable for all starters - upto 40A
- › Auto/Manual/Bypass mode available
- › In-built Star Delta timer and ON-Delay timer

Note: *i*-VDSM gives voltage based protection (Except Dry run for which current based protection is given) & *i*-ADSM gives current based protection

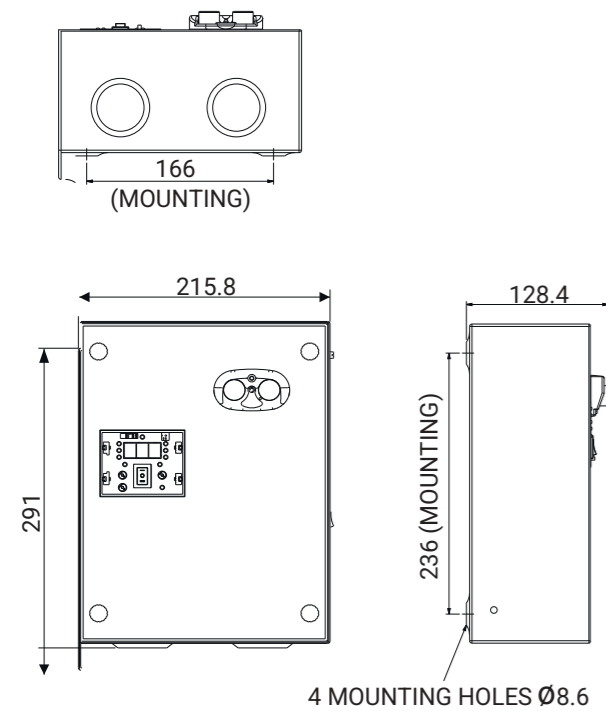


Applications

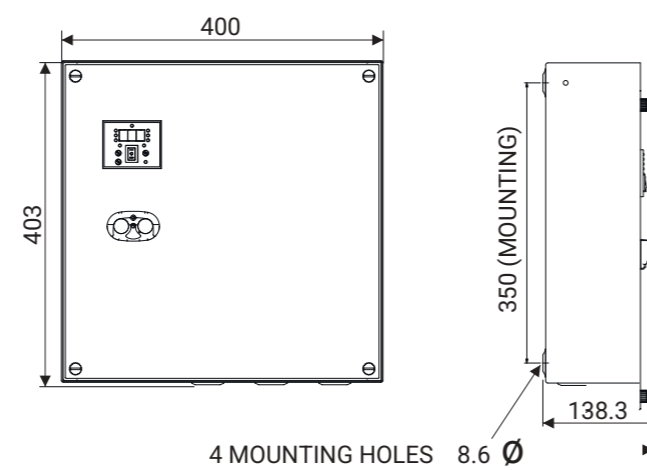
Agricultural pump application, Agriculture and allied processes, Textile looms, Horticulture, Canal irrigation, High-rise building applications, etc.

Overall Dimensions

MD Starter+ DOL



MD Starter+ FASD



All dimensions are in mm

Starter +

- › Starter+ DOL is rated up to 20HP at 360V/415V, 50Hz
- › Comprising of MU1/MU1H/MU2/MU3, MU relay and *i*-PROTECTOR



Starter	Motor Rating at 415V, 3Ph, 50Hz		Relay Range (A)
	HP		
MD1-iU	7.5	9-14	
	10	13-21	
	10	15-25	
MD1H-iU	12.5	13-21	
	12.5	15-25	
	12.5	20-32	
MD2-iU	12.5	13-21	
	12.5	15-25	
	15	20-32	
MD3-iU	15	24-38	
	17.5	20-32	
	17.5	24-38	
	20	28-42	

Starter +

- › Starter+ Star-Delta is rated up to 30 HP at 360V / 415V, 50Hz
- › Comprising of MU1/MU1H/MU2/MU3 contactor, MU2 Relay and *i*-PROTECTOR
- › The starter needs to be provided with HRC type back up fuses for protection of your installation from damage due to short circuit



Starter	Max. Motor Rating of 415V, 3Phase, 50Hz		Relay Range (A)
	With MU2 Relay		
MD1-iU	15	9-14	
MD1-iU/MD2-iU	20	13-21	
MD1H-iU/ MD2-iU	25	15-25	
MD2-iU	30	20-32	
MD3-iU	30	24-38	
MD2-iU/MD3-iU	30	28-42	